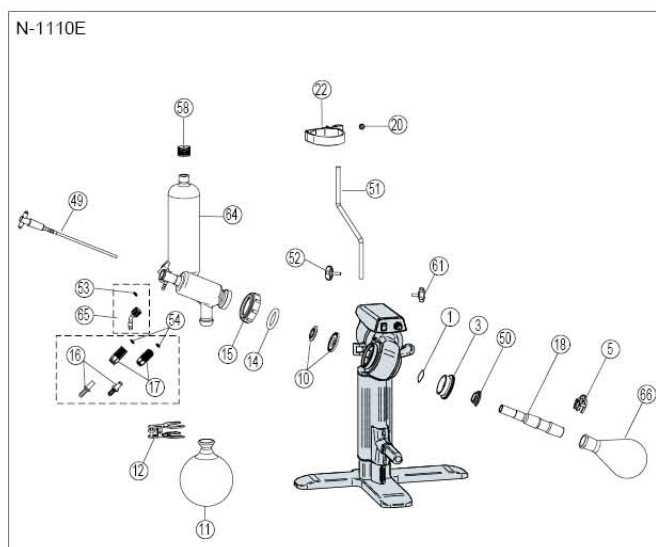
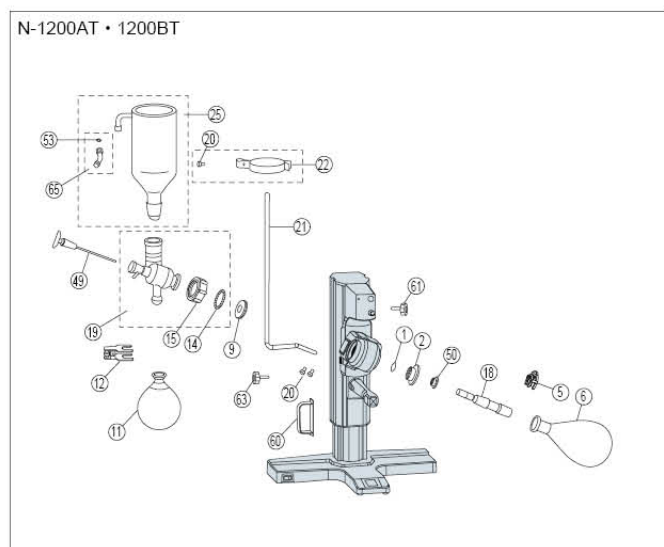
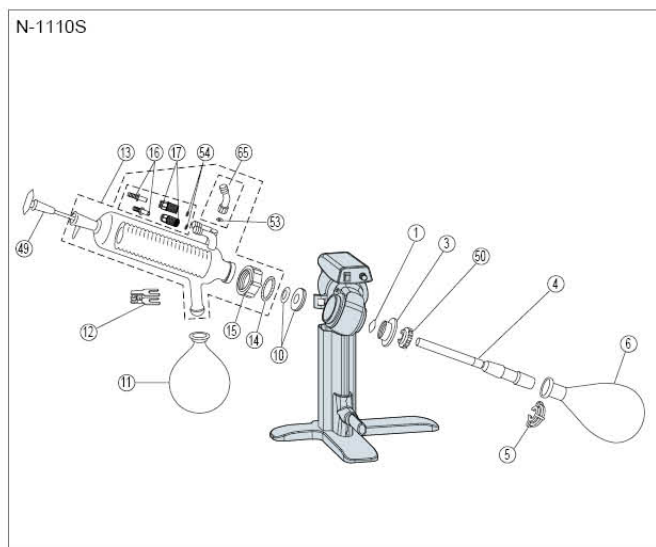
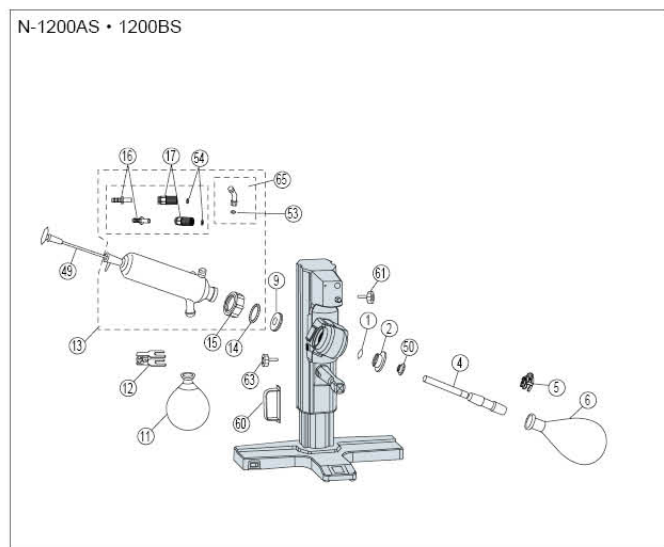
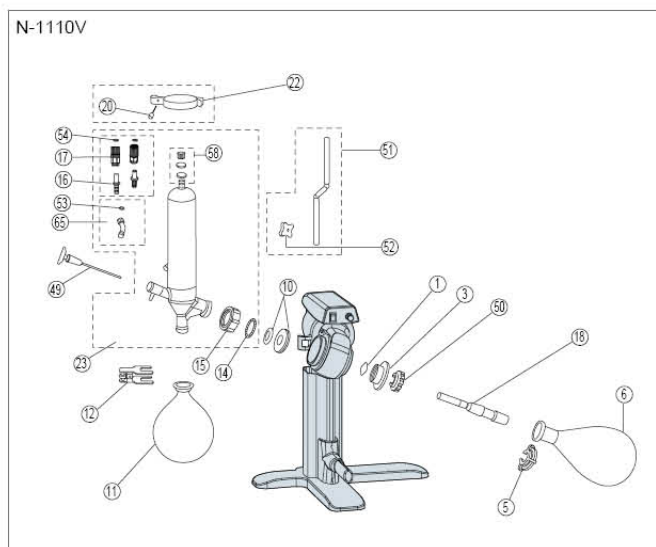
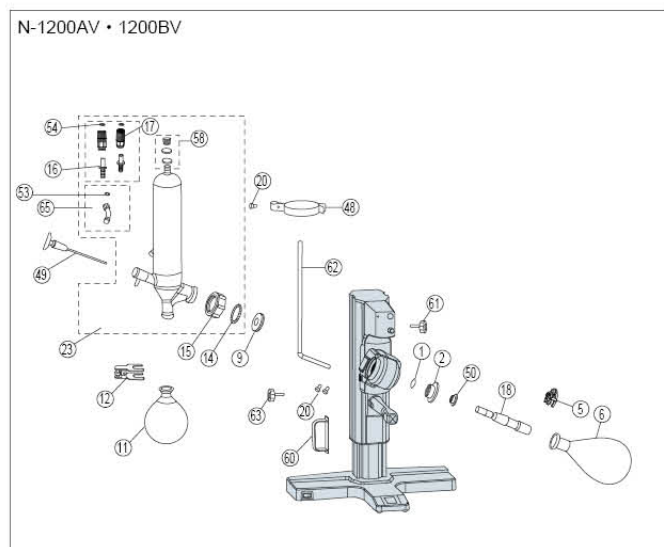
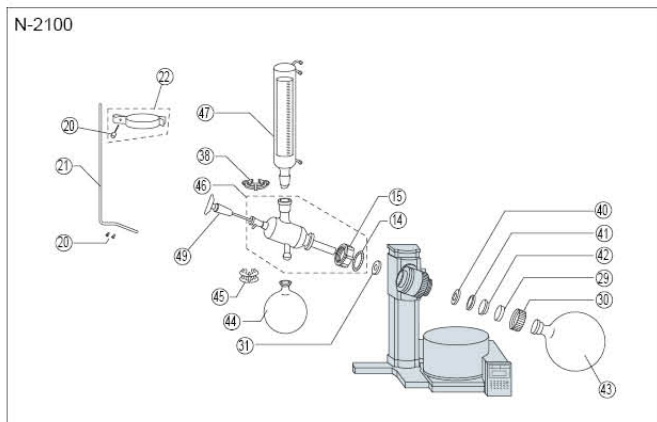
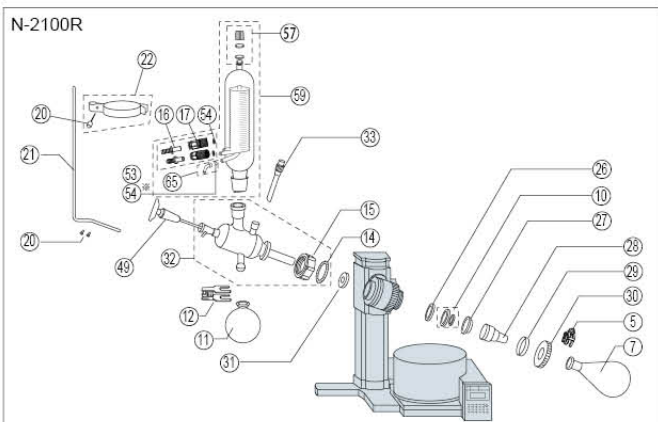
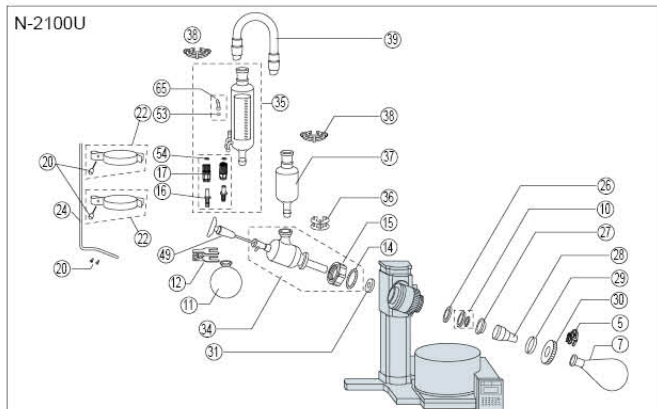
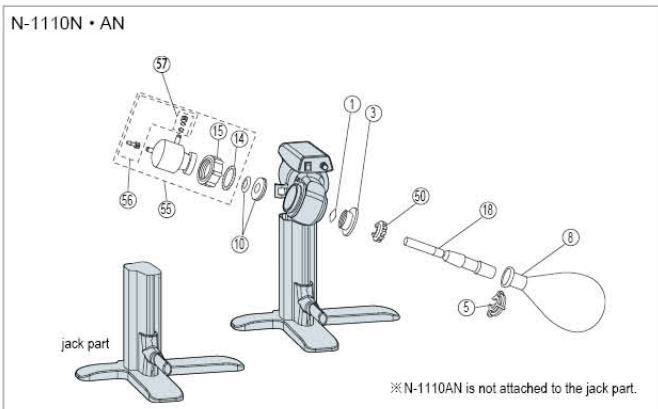


# Component Parts of EYELA Evaporators

EYELA original parts will fully enhance and maintain the performance of EYELA evaporators. All the parts are manufactured under strict EYELA quality standards. It is highly recommended to use these genuine original parts for EYELA products. Parts name and Cat. No. are referred in the tables.



Rotary Evaporator	1
Vacuum Pump & Aspirator	2
Organic Synthesizer	3
Freeze Dryer - Spray Dryer	4
Shaker	5
Stirrer	6
Tube Pump	7
Low Temperature Controller	8
Cold Trap	9
Constant Temperature Bath	10
Incubator	11
Oven	12
Fermentor	13



■ Standard parts list for EYELA Rotary Evaporators

No.	Parts Name	Descriptions	Quantity	Cat. No.
1	Sleeve pin	N-1200•1110	2	142650
2	Screw for removing flask	N-1200	1	245540
3	Screw for removing flask	N-1110	1	192610
4	Rotary joint	272mm Φ 29/38	1	142500
5	Eyela clip	Φ 29	2	142540
5	Eyela clip (metal)	Φ 29	1	187890
6	Sample flask	1000mL Φ 29/38	1	116190
7	Sample flask	2000mL Φ 29/38	1	116200
8	Sample flask	300mL Φ 29/38	1	116170
9	Teflon seal	N-1200	1	244980
10	Vacuum seal	N-1110	2 sets	142610
11	Receiving flask	1000mL S35/20	1	116340
12	Ball joint clamp	S35	1	202790
13	Condenser	Diagonal double helix	1	187780
14	Ring spring	N-1200•1110•2100	1	142710
15	Cap screw	N-1200•1110•2100	1	142700
16	Nozzle set (white)	N-1200•1110	2 sets	247210
17	One touch connector for glass screw	N-1200•1110	1	244930
18	Rotary joint	178mm Φ 29/38	1	142520
19	Adapter	T type evaporator	1	911160
20	Set screw	N-1200•1110•2100	2	187910
21	Cooler support	N-1200T•2100R•2100	1	185210
22	Cooler holder	N-1110•2100	1	185240
23	Condenser	Vertical double helix with adapter	1	244960
24	Cooler support	N-2100U	1	185220
25	Condenser	Vertical trap	1	187920
26	Teflon packing	N-2100R•U	1	185200
27	Seal defenser	N-2100R•U	1	185250
28	Joint adapter	Φ 29/38	1	142840
29	Soft packing	N-2100R•U	1	142990
30	Cap screw for sample flask	N-2100R•U	1	913690
31	Rubber packing	N-2100R•U	2	143010
32	Adapter (built-in in rotary joint)	N-2100R	1	234310
33	Stop valve	N-2100R	1	234320
34	Adapter (built-in in rotary joint)	N-2100U	1	185160

No.	Parts Name	Descriptions	Quantity	Cat. No.
35	Condenser	Vertical lower part double helix	1	187810
36	Ball joint clamp	N-2100U	1	143160
37	Dispersion vessel	N-2100U	1	142930
38	Eyela clip	Φ 45	1	142860
39	Connection tube	N-2100U	1	142940
40	Teflon packing	N-2100	1	143000
41	Vacuum seal	N-2100	1	143940
42	Seal defenser	N-2100	1	142950
43	Sample flask	5000mL	1	142820
44	Receiving flask	3000mL S35/20	1	116360
45	Ball joint clamp	N-2100	1	143020
46	Adapter (built-in in rotary joint)	N-2100	1	142980
47	Condenser	Vertical tripple helix	1	142880
48	Cooler holder	N-1200V	1	245550
49	Capillary	Φ 19/40 teflon tube	1	116540
50	Cap screw	N-1200•1110 Φ 29	2	192600
51	Rotary joint ring	N-1110V•E	1	192620
52	Cooler support bar	M6-25L	1	245580
53	Nozzle packing	N-1200•1110•2100	12	142691
54	Viton o ring for nozzle set	N-1200•1110	12	260960
55	Glass set	N-1110N•AN	1	231960
56	Straight nozzle set	N-1110N•AN	1	231970
57	Seal cock	GL14	1	232840
58	Packing set	GL25	1	255830
59	Condenser	Vertical double helix	1	187790
60	Hose holder	N-1200	1	245570
61	Knob bolt for angle adjustment	M6-20L	1	240840
62	Cooler support	N-1200V	1	245560
63	Knob bolt for manual slide	N-1200	1	245590
64	Condenser	With adapter	1	255840
65	Nozzle set (white)	N-1200•1110•2100	3	142690
66	Sample flask	500mL Φ 29/38	1	116180

# EYELA Genuine glass & parts

## Rotary joint



Standard			Thick type			Transparent type		
Cat. No.	Length(mm)	Ts	Cat. No.	Length(mm)	Ts	Cat. No.	Length(mm)	Ts
142500※	272	φ29/38	116560	272	φ29/38	116600	272	φ29/38
142510	272	φ24/40	116570	272	φ24/40	116610	272	φ24/40
142520※	178	φ29/38	116580	178	φ29/38	116620	178	φ29/38
142530	178	φ24/40	116590	178	φ24/40	116630	178	φ24/40

※Included as standard setup of evaporators

## Sample flask



Sample flask (Egg plant shape JIS)

Product name	Sample flask (Egg plant shape)			
Ts/NS	Ts 29/38	Ts 24/40	NS 29/32	NS 24/40
Capacity	Cat. No.	Cat. No.	Cat. No.	Cat. No.
50mL	116140	116220	216700	216800
100mL	116150	116230	216710	216810
200mL	116160	116240	—	—
250mL	—	—	216720	216820
300mL	116170	116250	—	—
500mL	116180	116260	216730	216830
1L	116190	116270	216740	216840
2L	116200	116280	216750	216850

Product name	Sample flask (Egg plant shape)	
Ts/NS	Ts19/38	Ts15/25
Capacity	Cat. No.	Cat. No.
10mL	234460	234520
20mL	234470	234530
30mL	234480	234540
50mL	234490	234550
100mL	234500	234560
200mL	234510	234570

## Receiving flask



Receiving flask (S35/20 JIS)

Product name	Sample flask (Egg plant shape)	
Ts/NS	JIS S35	ISO S35
Capacity	Cat. No.	Cat. No.
100mL	116300	216860
200mL	116310	—
250mL	—	216870
300mL	116320	—
500mL	116330	216880
1L	116340	216890
2L	116350	216900
Product name	Receiving flask with drain cock	
500mL	116370	—
1L	116380	233870
Product name	Receiving flask jacket type	
1L	116390	—

## Trap ball



Capacity	Ts	Cat. No.
100mL	φ29/38×29/38	116700
100mL	φ29/38×24/40	116710
100mL	φ29/38×19/38	156700
100mL	φ29/38×15/25	116720
100mL	φ24/40×24/40	116730
100mL	φ24/40×19/38	156710
100mL	φ24/40×15/25	116740
200mL	φ29/38×29/38	116750
200mL	φ29/38×24/40	116760
200mL	φ29/38×19/38	156680
200mL	φ29/38×15/25	116770
200mL	φ24/40×24/40	116780
200mL	φ24/40×19/38	156690
200mL	φ24/40×15/25	116790

Capacity	Ts	Cat. No.
300mL	φ29/38×29/38	116800
300mL	φ29/38×24/40	116810
300mL	φ29/38×19/38	156650
300mL	φ29/38×15/25	116820
300mL	φ24/40×24/40	116830
300mL	φ24/40×19/38	156660
300mL	φ24/40×15/25	116840
500mL	φ29/38×29/38	116850
500mL	φ29/38×24/40	116860
500mL	φ29/38×19/38	156610
500mL	φ24/40×24/40	156630
500mL	φ24/40×19/38	156640

1 Rotary Evaporator

2 Vacuum Pump & Aspirator

3 Organic Synthesizer

4 Freeze Dryer, Spray Dryer

5 Shaker

6 Stirrer

7 Tube Pump

8 Low Temperature Circulator

9 Cold Trap

10 Constant Temperature Bath

11 Incubator

12 Oven

13 Fermentor

Test tube adapter



Cat. No.	Ts	
116550	φ15/25	φ29/42
143870	φ15/25	φ24/40

Test tube

Cat. No.	Ts
201450	φ15/25 (6 pcs)

Adapter for different diameters



Application	Cat. No.	Ts
Safety cap	116930	φ29/38×24/40
	116940	φ29/38×19/33
	116950	φ29/38×15/30
Rotary joint	116870	φ29/38×24/40
	116880	φ29/38×19/38
	116890	φ29/38×15/25
	116900	φ24/40×29/38
	116910	φ24/40×19/38
	116920	φ24/40×15/25

Separable cover & flask



Name	Ts	IDxH (mm)	Cat. No.
Separable cover	φ29/38	50×82	116460
	φ24/40	50×82	116470
	φ29/38	75×82	116480
	φ24/40	75×82	116490
Separable sample flask	50mL	50×60	116400
	100mL	50×100	116410
	200mL	50×110	116420
	300mL	50×125	116430
	500mL	75×152	116440
	1L	75×185	116450

Separable clamp



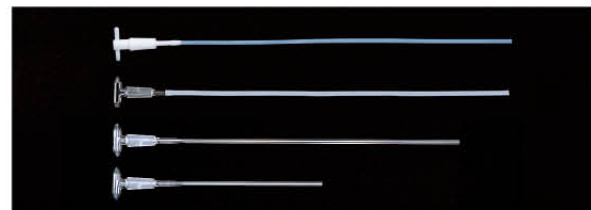
Applicable flask	Diam.	Cat. No.
50~300mL	50mm	116500
500 - 1000mL	75mm	116510

Separable seal packing



Applicable flask	Diam.	Cat. No.
50~300mL	50mm	116520
500 - 1000mL	75mm	116530

Capillary



Applicable evaporator	Cat. No.	Ts
N-1200 Series, N-1110S, N-1110V	245000	φ19/40Teflon+teflon tube (565mm)
N-1200 Series, N-1110S, N-1110V	116540 ※	φ19/40Teflon+teflon tube (565mm)
N-1200S, N-1110S	142590	φ19/40Glass (510mm)
N-1200V, N-1200T, N-1110V	142600	φ19/40Glass (297mm)

※Included as standard setup of evaporators

Glass stopper



Cat. No.
116970

3 way cock



Cat. No.
116960

■ One touch cooling hose set



Tube diam.	Length	Cat. No.
OD 10mm	2m	244940
	5m	244950

No need of fixing belt. Just insert into nozzle. Prevents liquid leak caused from loose fixing.

■ Vacuum seal



Cat. No.	Qty.
142610	2 sets

Provided as standard for N-1110 series evaporators. Also applicable to N-1200 series evaporators.

■ Cooling hose set



Tube diam.	Length	Cat. No.
ID 9.0mm	2m	112700
ID 15.0mm	2m	143340
ID 9.0mm	5m	174420
ID 15.0mm	5m	174460

Prevents dew formation during cooling water circulation and realizes efficient cooling capacity.

■ Teflon seal



Cat. No.
244980

Provided as standard for N-1200 series evaporators. Long life and strong chemical resistance. Also applicable to N-1110 series evaporators.

■ Vacuum hose



Tube diam.	Length	Cat. No.
ID6xOD15mm	5m	119170
ID12xOD30mm	5m	119210

Suitable for use with small evaporator and small volume condensation unit.

■ EYELA Jack EJ



A	150 x 150mm, Up/down 70~250mm	116120
B	200 x 200mm, Up/down 90~320mm	116130

■ Connection set for DPE-1400 to drain solvents in receiving flask



Connection set A  
Cat. No. 229730



Connection set B  
Cat. No. 229740



Connection set C  
Cat. No. 234440

Absorption cartridge  
Cat. No. 234890

■ Bumping protector (Safety cap) (PAT)

By simply attaching to rotary joint, innovative bumping prevention is attained. Teflon made cap can be used for all sorts of solvents.

C-1 (Standard type)



Cat. No. 116010

C-2 (Roket type)



Cat. No. 116020

C-3 (Filter type)



Cat. No. 116030

Rotary Evaporator 1

Vacuum Pump & Aspirator 2

Organic Synthesizer 3

Freeze Dryer, Spray Dryer 4

Shaker 5

Stirrer 6

Tube Pump 7

Low Temperature Cooler 8

Cold Trap 9

Constant Temperature Bath 10

Incubator 11

Oven 12

Fermentor 13

# EYELACOAT GLASS SERIES

Laboratory glassware has inherent risk of breakage and consequent glass projection.

EYELACOAT glass is coated with special coating material to eliminate such risk.

It's transparency and high heat resistiveness make the glass ideal for laboratory glassware, especially for evaporators which are under continuous heating.

Environmentally friendly polyurethane is used instead of environmentally stress causing material like PVC.

EYELACOAT glass features strong heat resistance from -80 ~ 120°C and has strong chemical resistance making it applicable to variety of solvents.



Sample flask (Eggplant shape)



Receiving flask

Coating glass breakage test



Flask drop test

### Chemical resistance

10% sulfuric acid	◎	dichloroethane	◎	acetone	○
10% hydrochloric acid	◎	acetonitrile	◎	O-xylene	○
10% acetic acid	◎	10% sodium hydroxide	◎	cyclohexane	○
acetic ether	◎	chloroform	◎	trichlorethylene	○
toluene	◎	DMF	◎	nitrobenzene	△

### EYELACOAT condenser & adapter



Vertical double helix with adapter

Cat. No. 244970



Diagonal double helix

Cat. No. 228460



Condense + adapter

Cat. No. 255850



Dewer type

Cat. No. 228480



Adapter

Cat. No. 228490

### Trap ball



Refer P.19

### Test tube adaptor



Refer P.20

### Separable flask



Refer P.20